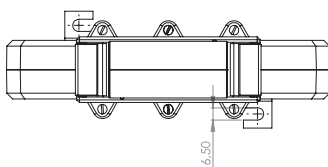
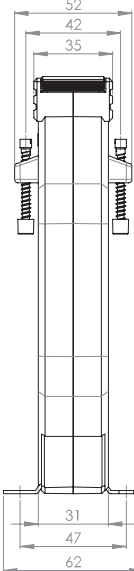
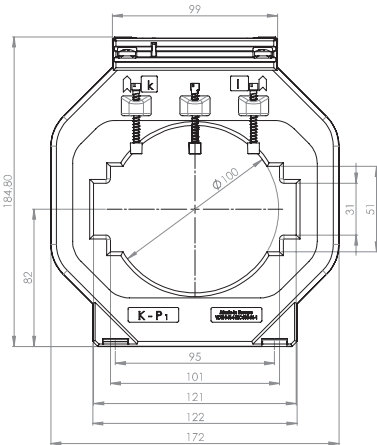


## ASK 123.3

### Plug-in current transformer



Bus bar 1	123 x 30 mm
Bus bar 2	3 x 100 x 10 mm
Round conductor	100 mm
Transformer width	172 mm
Height	184,8 mm
Depth	52 mm



Primary current [A]	Burden [VA]	Secondary current [A] / Class				
		5 A Cl. 1 Art.-no.	5 A Cl. 0,5 Art.-no.	5 A Cl. 0,2s Art.-no.	1 A Cl. 1 Art.-no.	1 A Cl. 0,5 Art.-no.
750	2,5		24127			
	5		24128			
	10		24129			
1000	2,5		24010	V56-2504D		
	5	24037	24011	V56-2504F	24237	24211
1200	10	24038	24126		24238	24125
	5	24039	24012	V56-2604F	24239	24212
	10	24040	24013		24240	24213
1250	15	24041	24014		24241	24214
	5	24042	24015	V56-2704F	24242	24215
	10	24043	24016	V56-2704H	24243	24216
1500	15	24044	24017		24244	24217
	5	24045	24018	V56-2804F	24245	24218
	10	24046	24019	V56-2804H	24246	24219
	15	24047	24020		24247	24220
1600	30	24048			24248	
	5	24112		V56-2904F		
	10	24107		V56-2904H		
	15	24113		V56-2904J		
1800	30	24108	24131			
	5	24049	24021		24249	24221
	10	24050	24022		24250	24222
	15	24051	24023		24251	24223
2000	30	24052			24252	
	5		24024	V56-3004F		24224
	10	24053	24025	V56-3004H	24253	24225
	15	24054	24026	V56-3004J	24254	24226
2500	30	24055	24027		24255	24227
	5		24136	V56-3204F		
	10	24057	24028	V56-3204H	24257	24228
	15	24058	24029	V56-3204J	24258	24229
3000	30	24059	24030		24259	24230
	5		24137	V56-3304F		
	10	24061	24031	V56-3304H	24261	24231
	15	24062	24032	V56-3304J	24262	24232
	30	24063	24033		24263	24233
	45	24064			24264	

		Art.-no.
	<b>Snap-on mounting</b>	-
	<b>Sealed shutter, type A</b>	<b>59040</b>